

2PC SPRING VERTICAL CHECK VALVE 1000WOG

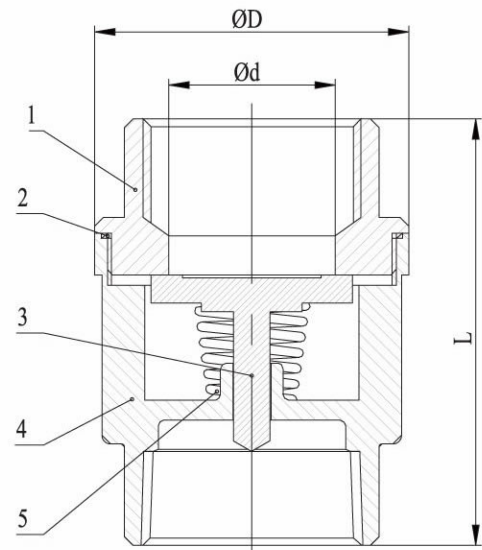
- Pressure Rating: 1000PSI (PN63)
- Threaded Ends: ANSI B2.1,BS 21,DIN 259/2999
- Material: CF8M,CF8,CF3M,WCB
- Pressure Test : API 598

- 精密铸造二片弹簧立式止回阀 (口径)
- 压力等级: 1000PSI (PN63)
- 螺纹标准: ANSI B2.1,BS 21,DIN 259/2999
- 材 料: CF8M,CF8,CF3M,WCB
- 压力测试: API 598



MATERIAL LIST

ITEM	PART	MATERIAL	QTY
1	CAP	CF8M	1
2	BODY GASKET	PTFE	1
3	DISC	CF8M	1
4	BODY	CF8M	1
5	SPRING	SS316	1



DIMENSION TABLE

SIZE	d	D	L	KGS
1/4"	8	30.5	53	0.17
3/8"	10	30.5	53	0.15
1/2"	15	37	56	0.21
3/4"	20	42	63	0.29
1"	25	48	74	0.40
1-1/4"	30	58	81	0.65
1-1/2"	38	70	100	0.98
2"	47	82	107	1.40
2-1/2"	61	102.5	149	2.44
3"	75	120	158	3.80
4"	94	150	168	6.60